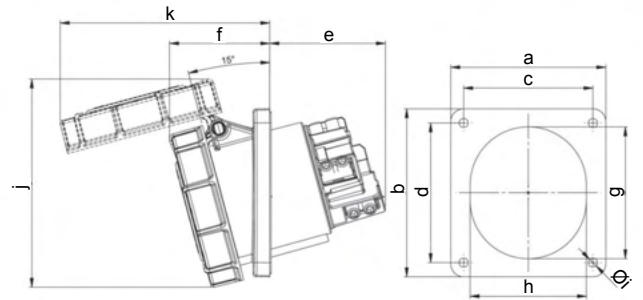


| | |
|------------------------|---|
| article# | A445-7 |
| article description | CEE-flanged socket sloping (120x130) 125A 5p 7h IP67 Pilot POWER TWIST |
| description long | CEE-flanged socket sloping (120x130) 125A 5p 7h IP67 Pilot POWER TWIST housing material: PA6 rated current: 125A number of poles: 5 (3P+N+PE) clock-position: 7h rated voltage/frequency: 277/480V~ - 288/500V~ / 50+60Hz contacts: brass, with lamellar spring (CuBe) connection technology: frame terminals with screws dimensions (flange/fixing center): 120x130 mm / 100x108 mm with pilot contact sleeve IP protection class: IP66/IP67 |
| GTIN (EAN) | 9003399091612 |
| country of origin | AT |
| customs number | 85366990 |
| net weight | 1,073 kg |
| packaging quantity | 2 |
| minimum order quantity | 2 |



| | |
|---------------------------------|------------------------|
| ETIM 9.0 | EC001317 |
| IEC-amperage | 125 A |
| Voltage according to EN 60309-2 | 500 V (50+60 Hz) black |
| Number of poles | 5 |
| Clock hour position | 7 h |
| Identification colour | Black |
| Degree of protection (IP) | IP67 |
| Connection system | Screwed terminal |
| Angle of plug | Angled |
| Material | Plastic |
| Contact material | CuZn |
| Surface treatment contacts | Untreated |
| Flange size vertical | 130 mm |
| Drill hole distance vertical | 108 mm |
| Flange size horizontal | 120 mm |
| Drill hole distance horizontal | 100 mm |



| | |
|------------------------|--|
| a | 120 mm |
| b | 130 mm |
| c | 100 mm |
| d | 108 mm |
| e | 92 mm |
| f | 77 mm |
| g | 102 mm |
| h | 90 mm |
| i | 7 mm |
| j | 160 mm |
| k | 162 mm |
| wire flexible | 16-50 / 1-2,5 (Pilotkontakt) mm ² |
| wire solid | 16-70 / 1-4 (Pilotkontakt) mm ² |
| contact screws | 450 / 100 (Pilotkontakt) Ncm |
| dismantling length | 100 mm |
| stripping length | 24-27 mm |
| ambient temperature | -25 – 40 °C |
| temperature resistance | -25 – 80 °C |

