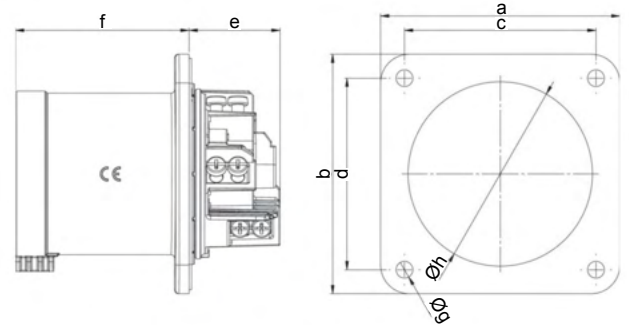


article#	A6351-9k
article description	CEE-flanged plug straight 63A 5p 9h IP44 POWER TWIST
description long	CEE-flanged plug straight 63A 5p 9h IP44 POWER TWIST housing material: PA6 rated current: 63A number of poles: 5 (3P+N+PE) clock-position: 9h rated voltage/frequency: 120/208V~ - 144/250V~ / 50+60Hz contacts: brass nickel plated, with pilot pin connection technology: frame terminals with screws dimensions (flange/fixing center): 100x100 mm / 80x80 mm IP protection class: IP44
GTIN (EAN)	9003399460081
country of origin	AT
customs number	85366990
net weight	0.427 kg
packaging quantity	2
minimum order quantity	2



ETIM 9.0	EC001319
IEC-amperage	63 A
Voltage according to EN 60309-2	200-250 V (50+60 Hz) blue
Number of poles	5
Clock hour position	9 h
Identification colour	Blue
Degree of protection (IP)	IP44
Connection system	Screwed terminal
Construction type	Built-up device plug
Angle of plug	Straight
Material	Plastic
Contact material	CuZn
Surface treatment contacts	Nickel-plated



a	100 mm
b	100 mm
c	80 mm
d	80 mm
e	39 mm
f	73 mm
g	7 mm
h	77 mm
wire flexible	6-16 mm ²
wire solid	6-25 mm ²
contact screws	200 Ncm
dismantling length	100 mm
stripping length	15-18 mm
ambient temperature	-25 – 40 °C
temperature resistance	-25 – 80 °C

