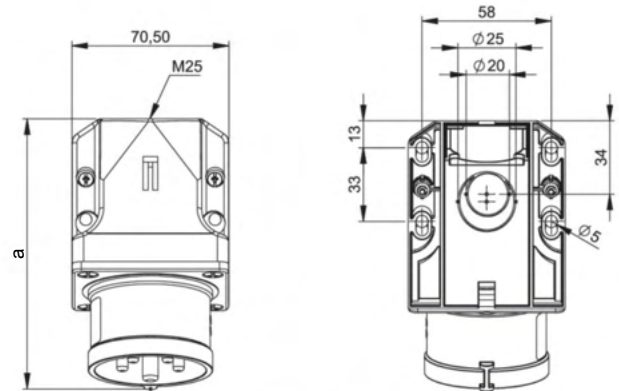


article#	<b>A527-9v</b>
article description	<b>CEE-wall mounted plug 32A 7p 9h IP44/IP54</b>
description long	CEE-wall mounted plug 32A 7p 9h IP44/IP54 housing material: PA6 rated current: 32A number of poles: 7 (6P+PE) clock-position: 9h rated voltage/frequency: 220-250V~ / 50+60Hz contacts: brass nickel plated connection technology: screw terminals IP protection class: IP44/IP54
GTIN (EAN)	9003399405242
country of origin	AT
customs number	85366990
net weight	0.304 kg
packaging quantity	10
minimum order quantity	10

ETIM 9.0	EC001319
IEC-amperage	32 A
Voltage according to EN 60309-2	200-250 V (50+60 Hz) blue
Number of poles	7
Clock hour position	9 h
Identification colour	Blue
Degree of protection (IP)	IP54
Connection system	Screwed terminal
Construction type	Surface mounted device plug
Angle of plug	Angled
Material	Plastic
Contact material	CuZn
Surface treatment contacts	Nickel-plated

a	132 mm
b	85 mm
wire flexible	2,5-6 mm <sup>2</sup>
wire solid	2,5-10 mm <sup>2</sup>
contact screws	110 Ncm
housing screws	110 Ncm
connecting screws	110 Ncm
dismantling length	50 mm
stripping length	12-14 mm
ambient temperature	-25 – 40 °C
temperature resistance	-25 – 80 °C



b=Höhe/height  
Neigung/angle=15°

